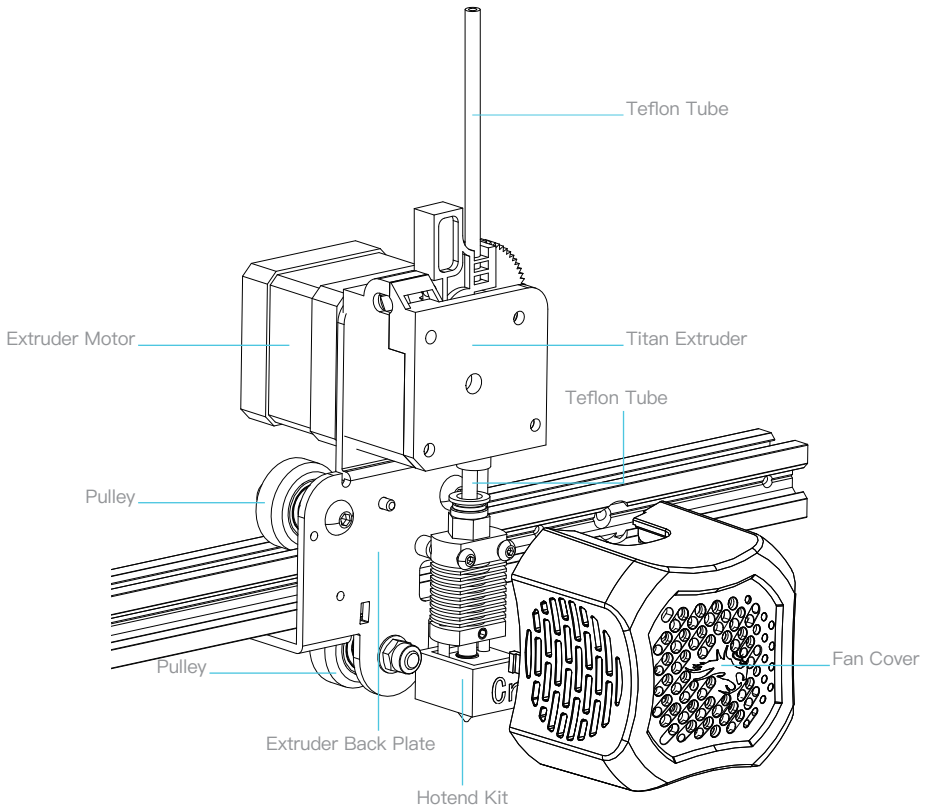


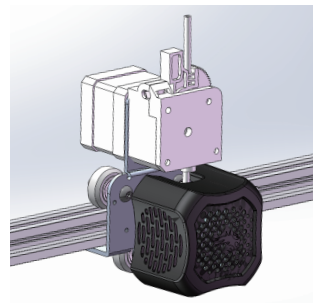
Titan Extruder User Guide ^{V1.0}

(Ender-3 V2)

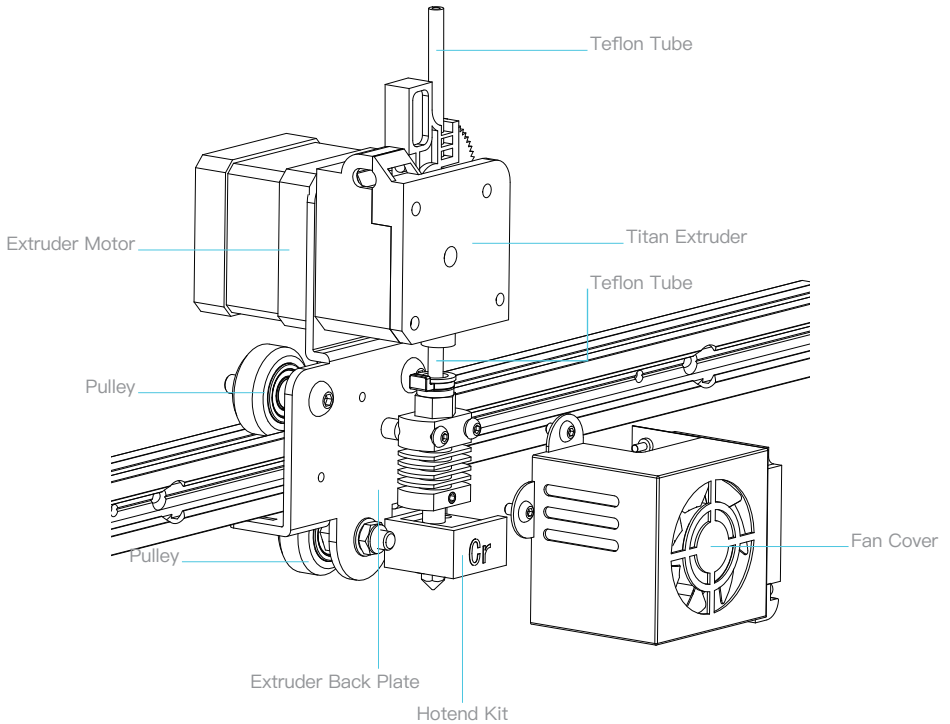


Installation Steps

1. Please remove the original hotend kit and X-axis timing belt of the 3D printer,
2. To fix the pulley on the Titan extruder back plate,
3. Install the hotend kit into the extruder back plate,
4. To connect the hotend kit and Titan extruder with teflon tube,
5. To fix the fan cover on the extruder back plate, and to fix the timing belt on extruder back plate,
6. To feed up the filament into the Titan extruder kit, and to get through the hotend kit.



Titan Extruder User Guide ^{V1.0} (Ender-3)



Installation Steps

1. Please remove the original hotend kit and X-axis timing belt of the 3D printer,
2. To fix the pulley on the Titan extruder back plate,
3. Install the hotend kit into the extruder back plate,
4. To connect the hotend kit and Titan extruder with teflon tube,
5. To fix the fan cover on the extruder back plate, and to fix the timing belt on extruder back plate,
6. To feed up the filament into the Titan extruder kit, and to get through the hotend kit.

