



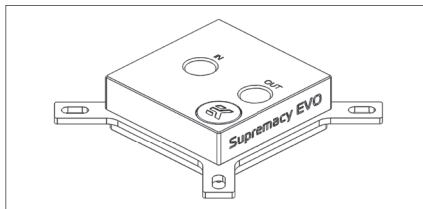
ekwb

7th revision, Mar 4th 2016

Supremacy EVO

USER GUIDE

GENERAL INFORMATION ON WATER BLOCK COMPATIBILITY



This CPU liquid cooling unit is pre-assembled for use with modern Intel desktop socket type motherboards. By default (out of the box) this water block supports the following CPU sockets:

- Intel® Socket LGA-115x
- Intel® Socket LGA-2011(-3)



This product is also fully compatible with Intel® LGA-775, LGA-1366 and AMD® AMx/FMx sockets however the required backplates and/or AMD mounting plate is not included in the box. The aforementioned parts are available free of charge from EK Webshop and Partner Reseller Network.



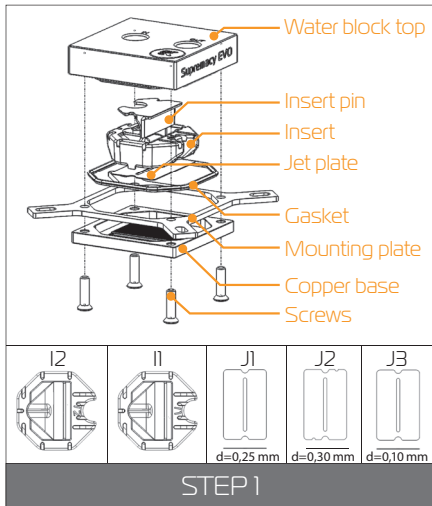
Narrow server type LGA-2011 is not supported by default – a Mounting plate Supremacy LGA-2011 Narrow ILM (EAN: 3830046990600) is mandatory to install this water block on narrow server type LGA-2011 motherboards. Replacing the mounting plate requires disassembly of the water block.

WHAT IS ENCLOSED

The following items are enclosed with each EK-Supremacy EVO water block:

- **EK-Supremacy EVO universal CPU water block.**
- **PreciseMount EVO universal CPU mounting mechanism:**
 - M4 threaded thumb screws (4 pcs)
 - LGA-2011 M4 threaded mounting studs (4 pcs)
 - Springs (4 pcs)
 - M4 threaded thumb nuts (4 pcs)
 - Washers (4 pcs)
- **EK-Supremacy Backplate**
 - Backplate rubber gasket
 - Backplate for Intel® LGA-115x socket motherboards
- **Allen (hex) key 2.5mm**
- **Additional Inserts and Jet plates:**
 - Jet J2 (0.3mm thick)
 - Jet J3 (0.1mm thick)
 - Insert I2
- **Thermal grease**

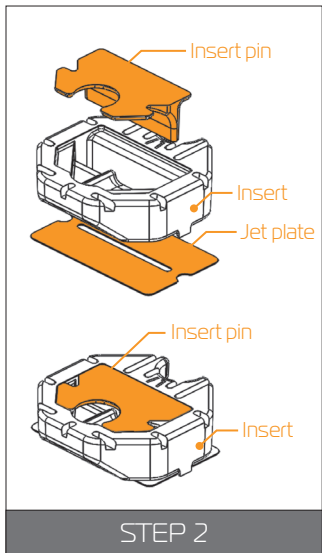
REPLACING THE JET PLATE /INSERT PROCEDURE (OPTIONAL)



STEP 1

Please observe the table below to determine the optimal combination of insert and jet plate for your type of socket:

Socket	Optimal Insert	Optimal Jet
AMD® AMx / FMx	I2	J2
LGA-775	I1	J2
LGA-115x	I1	J2
LGA-1366	I1	J1
LGA-2011	I1	J1
LGA-2011(-3)	I2	J3



STEP 2

Unscrew the four M4 screws in counter-clockwise direction from the bottom of the water block using enclosed 2,5mm Allen key to release the assembly, consisting of water block top, the insert, insert pin and jet plate. Upon replacing the insert and/or jet plate please re-assemble the water block as shown on the photo in STEP 1 and STEP 2. Pay special attention to the insert orientation relative to the copper base and water block top!



Before re-assembly of the water block it is crucial that the pre-formed gasket (o-ring) is placed into the gap between the mounting plate and the water block top.

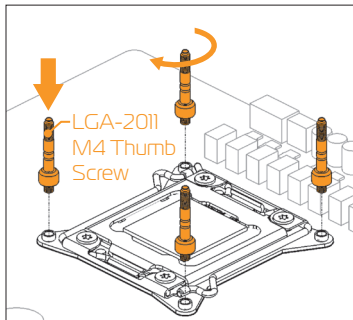
Screw the four screws back in but don't exaggerate with the force applied.

LGA-2011(-3) SOCKET MOTHERBOARDS

STEP 1

Prepare the foil bag with mounting mechanism, which is enclosed with the CPU water block delivery.

Install four (4) specific LGA-2011 M4 thumb screws into four M4 threaded stubs on the LGA-2011 socket integrated latch mechanism (ILM). The screws are to be installed using no tools (i.e. pliers).



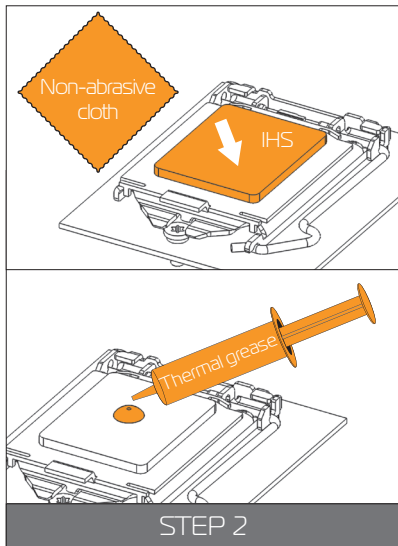
LGA-2011 M4 Thumb Screw



STEP 1



It is recommended to remove the motherboard from the PC chassis before proceeding with installation of the CPU water block because of the space constraint limitations of various computer cases.



STEP 2

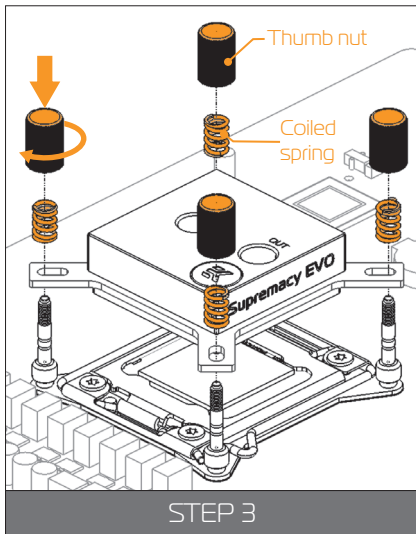
Cleaning the CPU: Wipe the CPU's contact surface (by using non-abrasive cloth or Q-tip, as shown on sample photo).

Applying thermal compound: EK recommends blob or line method of applying the enclosed thermal compound to the CPU heat spreader (IHS) - see sample photo on right.



The quantity of about two rice grains is just about right.

There is no need to cover the whole IHS. Applying too much thermal grease will have negative impact on the cooling performance!



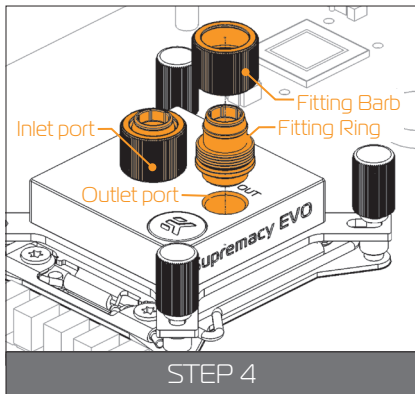
STEP 3.:

Align the water block over the mounting screws on the LGA-2011(-3) motherboard with pre-installed CPU.



Before proceeding with the installation It is mandatory to remove the protective foil from the backside of the water block.

Place an enclosed compression spring and thumb nut over each M4 thumb screw. Start fastening two thumb nuts at a time, preferably in cross pattern and do not tighten them fully until all of them are partially screwed in. Then - using your fingers only - screw in all four thumb nuts until you reach the end of the thread.



STEP 4.:

Tighten the fitting barbs in clockwise direction until the gasket underneath is compressed.

The installation of the CPU water block is now complete.



With EK-Supremacy EVO series water blocks it is mandatory to use the port that is nearest to the center of the water block as INLET port. Mixing the ports may result in less than ideal thermal performance of the water block.

LGA-115x SOCKET MOTHERBOARDS

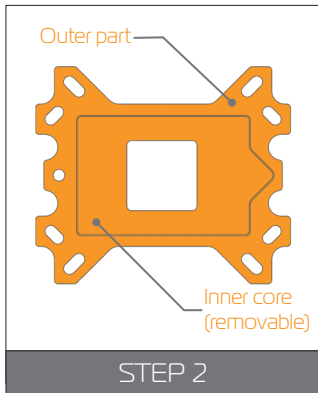
STEP 1

If already installed, please remove the motherboard from your computer and place it on an even surface with front facing down.

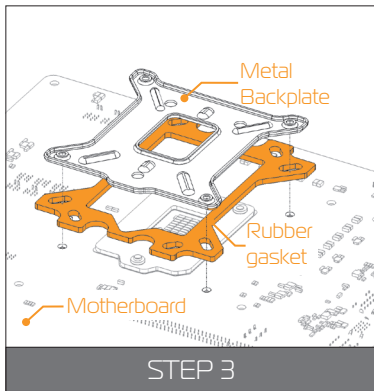
STEP 2

Preparing backplate rubber gasket

The enclosed rubber gasket is essential part of the backplate and mounting system and must be used every time you install this water block on your motherboard.



The rubber gasket has a partially cut inner part which needs to be removed when installed on Intel® LGA-115x motherboard. The rubber is held on four places and can be peeled away with hand.



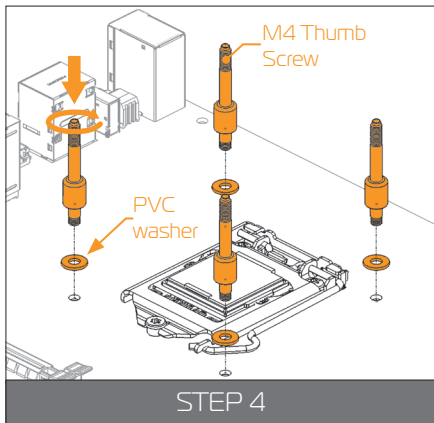
STEP 3

Install backplate rubber gasket and place metal backplate for Intel® LGA-115x socket to the back of your motherboard RIBBED SIDE UP! (facing away from the motherboard) Align the holes on the motherboard with holes on rubber gasket and backplate.



Make sure to orientate the rubber gasket to fit past the CPU socket ILM backplate. On certain ITX form factor motherboards the rubber gasket may need to be trimmed using household scissors.

Carefully rotate motherboard assembly with front side facing up with one hand while holding the backplate and rubber in place with the other hand.



STEP 4

Install four (4) M4 thumb screws onto your motherboard. It is mandatory to put 0.7mm plastic washer underneath each of the M4 thumb screws. Tighten the screws to the metal backplate until you reach the end of the thread. Using tools (such as pliers) is not recommended.



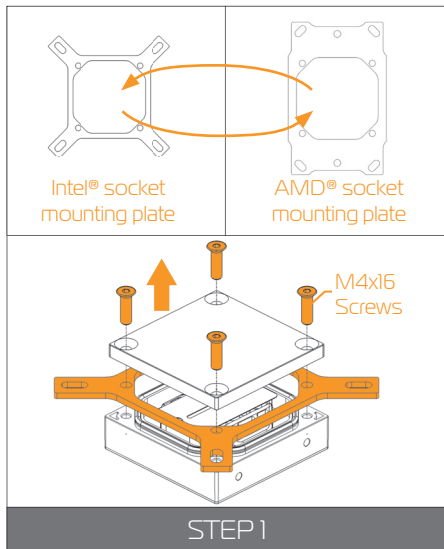
Continue installation by following the instructions on page 8 from STEP 2!

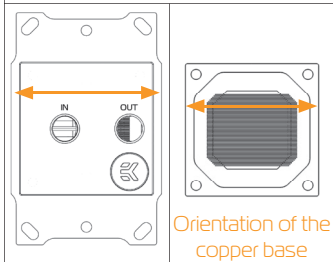
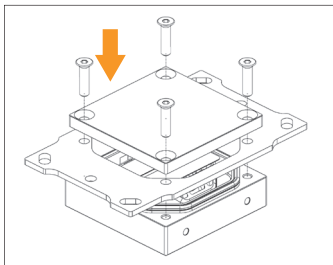
AMD® SOCKET MOTHERBOARDS

STEP 1

Replacing the mounting plate:

Place the water block on a even surface and remove the four M4x16 DIN 7991 screws attaching the copper base to the top using 2,5mm Allen key in counter-clockwise direction.





STEP 2

STEP 2

Replace the Intel® factory installed mounting plate with AMD® one. You will feel the mounting plate locking into the position when placed correctly on to the top.

Reseat the pre-formed gasket (o-ring) into the gap between the mounting plate and water block top.

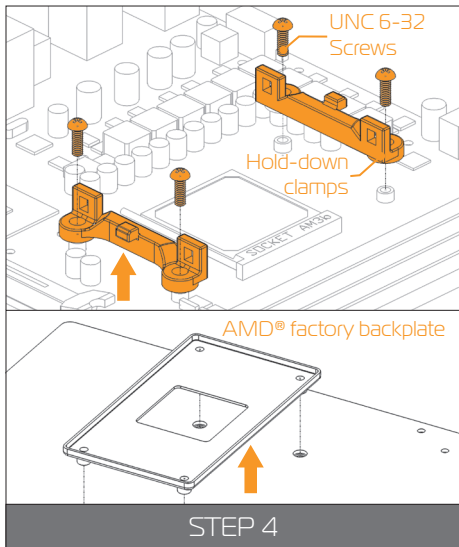


Pay attention to the orientation of the copper base. Wrong assembly will lead to severe performance penalty!

Reinstall the M4x16 screws and tighten them using 2,5mm Allen key to screw them in clockwise direction.

STEP 3

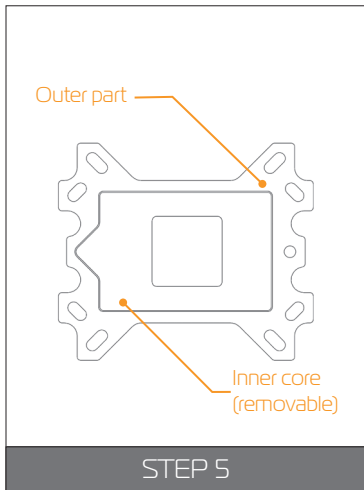
If already installed, please remove the motherboard from your computer and place it on an even surface with front facing up.



STEP 4

Removing of the original plastic hold-down clamps and the factory backplate:

Using Philips-head screwdriver remove the four UNC 6-32 screws securing the original plastic hold-down clamps around the socket as shown on the sketch. Remove the original AMD® backplate and the hold-down clamps and store them away. See sketch for further part identification.



STEP 5

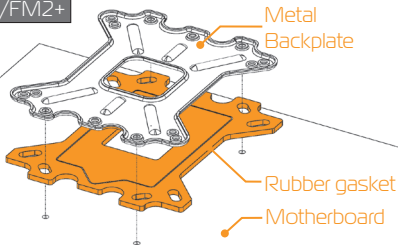
Preparing backplate rubber gasket

The enclosed rubber gasket is essential part of the backplate and mounting system and must be used every time you install this water block on your motherboard.

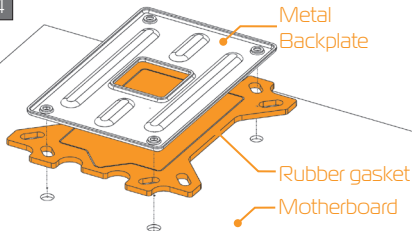


With AMD® Sockets you should use whole rubber backplate including the inner core.

AM3+/FM2+



AM4

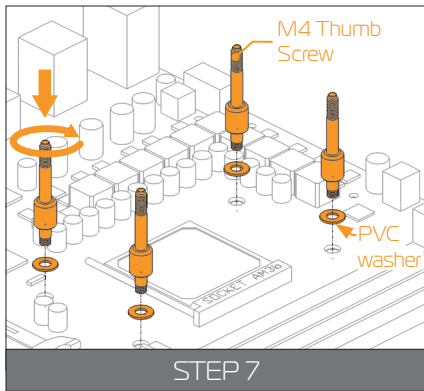


STEP 6

STEP 6

Install backplate rubber gasket and place metal backplate for AMD® socket to the back of your motherboard RIBBED SIDE UP! (facing away from the motherboard) Align the holes on the motherboard with holes on rubber gasket and backplate.

Carefully rotate motherboard assembly with front side facing up with one hand while holding the backplate and rubber in place with the other hand.



STEP 7

Prepare the foil bag with mounting mechanism, which is enclosed with the CPU water block delivery.

Install four (4) M4 thumb screws onto your motherboard. It is mandatory to put 0.7mm plastic washer underneath each of the M4 thumb screws. Tighten the screws to the metal backplate until you reach the end of the thread. Using tools (such as pliers) is not recommended.



Continue installation by following the instructions on page 8 from STEP 2

SUPPORT AND SERVICE

For assistance please contact:

<http://support.ekwb.com/>

EKWB d.o.o.
Pod lipami 18
1218 Komenda
Slovenia - EU

SOCIAL MEDIA

 EKWaterBlocks

 @EKWaterBlocks

 ekwaterblocks

 EKWBofficial

 ekwaterblocks

