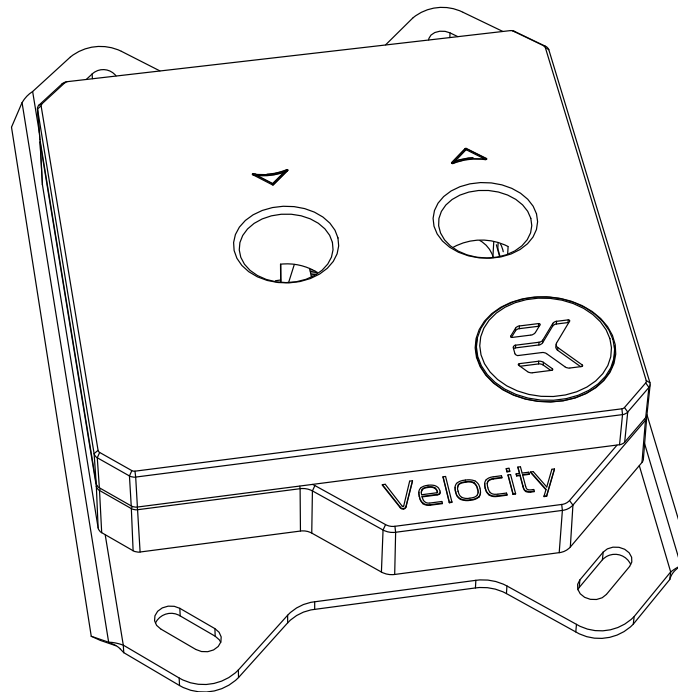




Velocity - AMD

CPU WATER BLOCK



This product is intended for installation only by expert users. Please consult with a qualified technician for installation. Improper installation may result in damage to your equipment. EK Water Blocks assumes no liability whatsoever, expressed or implied, for the use of these products, nor their installation. The following instructions are subject to change without notice. Please visit our website at www.ekwb.com for updates. Before installation of this product, please read important notice, disclosure, and warranty conditions that are printed on the back of the box.

Before you start using this product, please follow these basic guidelines:

Please carefully read the manual before beginning the installation process.

Please remove your graphics card from the computer to assure the safest mounting process and prevent any possible damage to your GPU and/or graphics card circuit board (PCB).

The EK Fittings require only a small amount of force to screw them firmly in place since the liquid seal is ensured by the rubber O-ring gaskets.

The use of corrosion inhibiting coolants is always recommended for liquid cooling systems, and mandatory for nickel plated water blocks!

Do not use pure distilled water! For best results recommends the use of EK-CryoFuel coolants.

Make sure to thoroughly bleed air out of your water block, or you will not reach optimal performance.

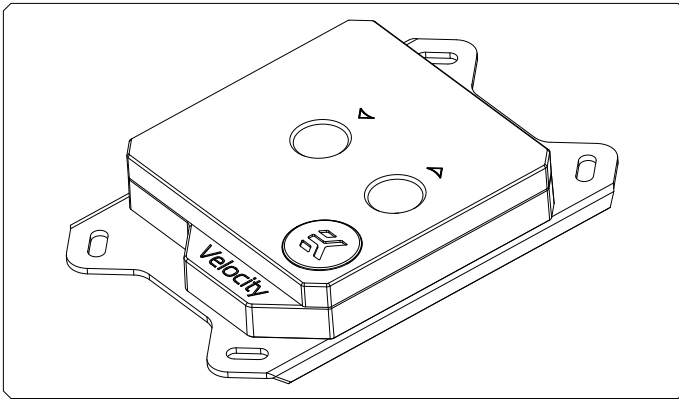
TABLE OF CONTENT

GENERAL INFORMATION ON WATER BLOCK COMPATIBILITY	4	SUPPORT AND SERVICE	16
BOX CONTENTS	5	SOCIAL MEDIA	16
WATER BLOCK DIMENSIONS	6		
TECHNICAL SPECIFICATIONS AND WATER BLOCK PARTS	7		

QUICK INSTALLATION GUIDE

INSTALLING THE WATER BLOCK	10
AMX AND FMX SOCKET MOTHERBOARDS.....	10
CONNECTING THE RGB LED STRIP (Optional)	13
CONNECTING THE RGB LED STRIP.....	14
CONNECTING THE D-RGB LED STRIP.....	14

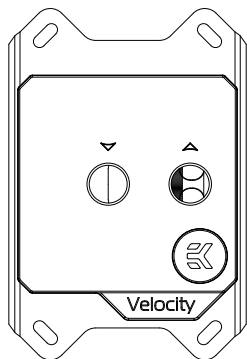
GENERAL INFORMATION ON WATER BLOCK COMPATIBILITY



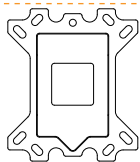
This CPU liquid cooling unit is pre-assembled for use with modern AMD desktop socket type motherboards. By default (out of the box) this water block supports the following CPU sockets:

- **AMD® socket AMx and FMx**

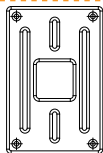
BOX CONTENTS



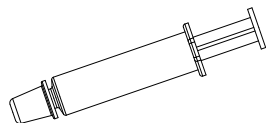
EK-Velocity universal CPU water block with the AMD bracket (1 pc)



Backplate Rubber Gasket (1 pc)



Metal Backplate AMD (1 pc)



Thermal grease (1 pc)

EAN: 3831109813249

Universal Mounting Mechanism – You may not need every screw from this package. EAN: 3831109813065



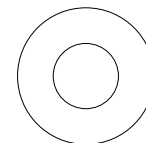
Spring (4 pcs)



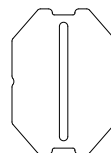
Standoff - AMD / LGA 115x (4 pcs)



Standoff - 20xx (4 pcs)



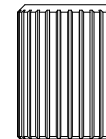
Washer (5 pcs)



Additional Jet Plate - 0.8 mm (1 pc)

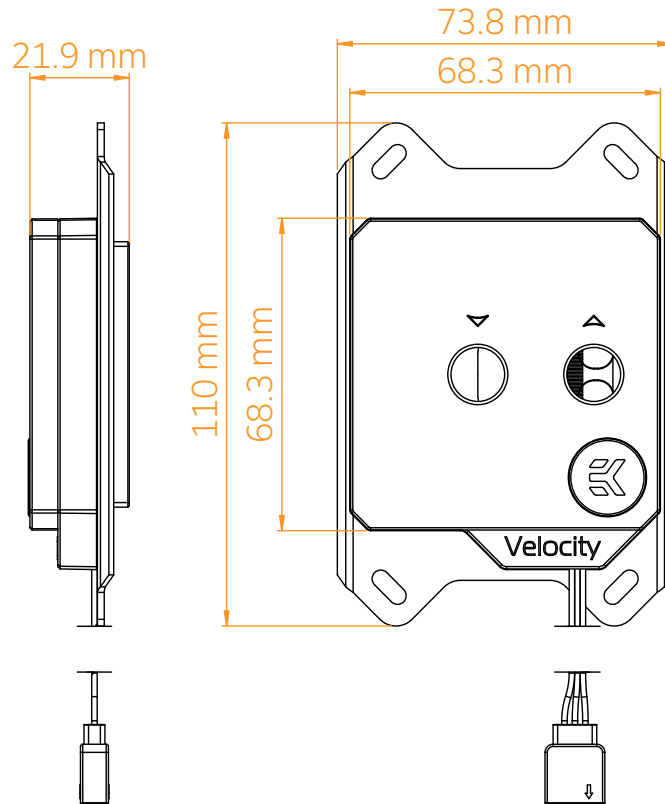


Allen Key 2.5 mm (1 pc)



Thumb Nut (4 pcs)

WATER BLOCK DIMENSIONS



TECHNICAL SPECIFICATIONS AND WATER BLOCK PARTS

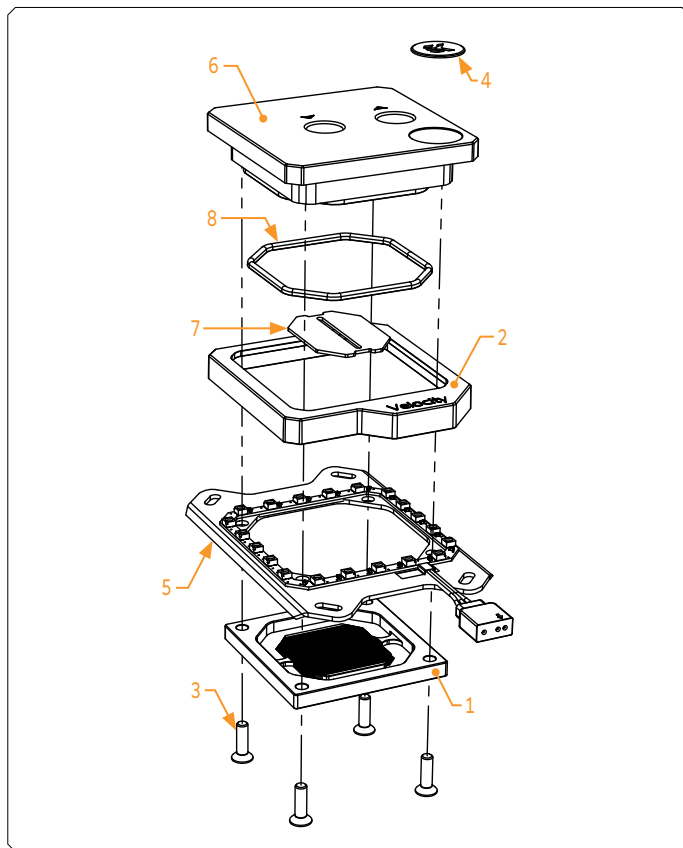
Technical Specification:

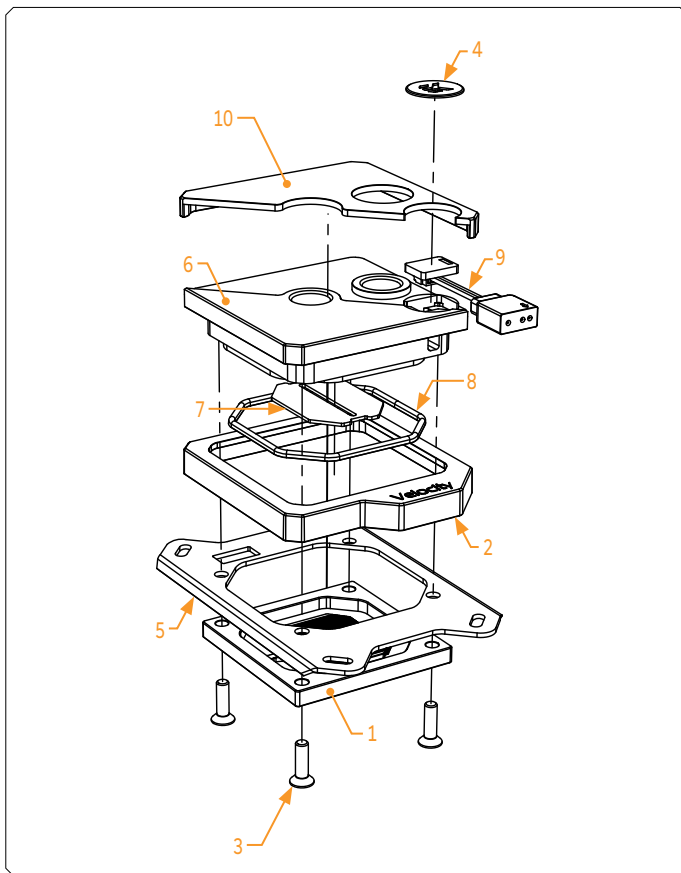
- Dimensions (L x H x W): 110 x 74 x 22 mm
- D-RGB cable length: 500 mm
- D-RGB LED count: 20
- D-RGB connector standard 3-pin (+5V, Data, Blocked, Ground)

Position	EAN	Description	Quantity
1	100668	COLDPLATE - Copper	1
	100669	COLDPLATE - Nickel	
2	100830	VELOCITY FRAME - Black	1
	100831	VELOCITY FRAME - Nickel	
	100832	VELOCITY FRAME - White	
3	8207	SCREW M4x14 DIN7991	4
4	100663	EK-BADGE	1
6	100850	AMD Mounting Plate + LED D-RGB	1
	100526	TOP PLATE - Acetal	
	100525	TOP PLATE - Plexi	
	1012044	TOP PLATE - Frosted Plexi	1
7	100629	JET PLATE	1
8	100728	SEALING GASKET	1



LED light is not included in all versions.

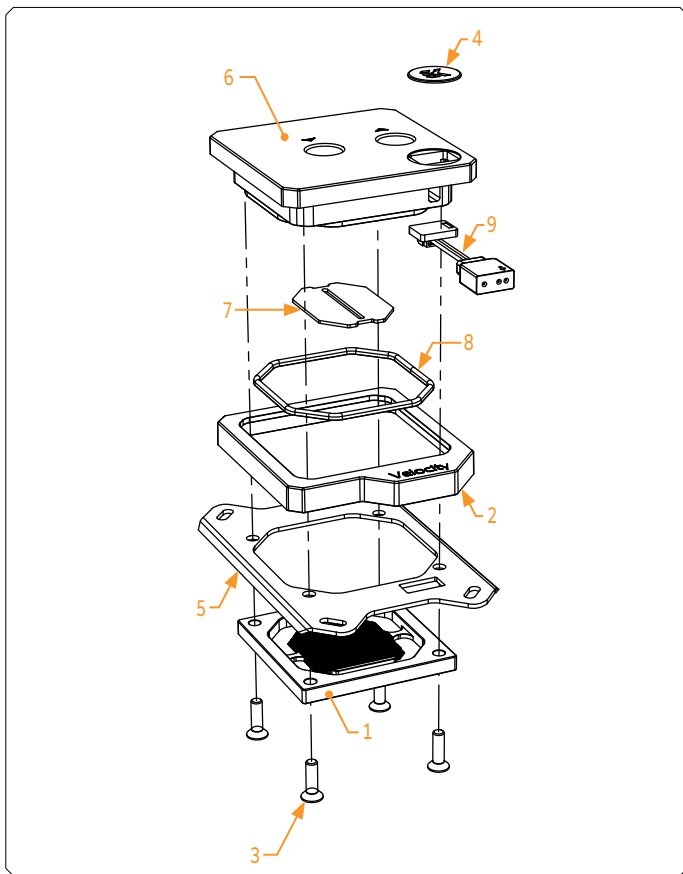




Technical Specification:

- Dimensions (L x H x W): 110 x 74 x 22 mm
- D-RGB cable length: 500 mm
- D-RGB LED count: 1
- D-RGB connector standard 3-pin (+5V, Data, Blocked, Ground)

Position	EAN	Description	Quantity
1	100668	COLDPLATE - Copper	1
	100669	COLDPLATE - Nickel	
2	100830	VELOCITY FRAME - Black	1
	100831	VELOCITY FRAME - Nickel	
	100832	VELOCITY FRAME - White	
3	8207	SCREW M4x14 DIN7991	4
4	100663	EK-BADGE	1
5	100576	AMD Mounting Plate	1
	101691	TOP PLATE - Strike Black Nickel	
	101692	TOP PLATE - Strike Matte Black	
6	100528	TOP PLATE - Full Nickel	1
	100629	JET PLATE	
7	100629	JET PLATE	1
8	100728	SEALING GASKET	1
9	102213	LED D-RGB PANEL	1
	101693	STRIKE COVER - Black Elox	
10	101694	STRIKE COVER - Natural Elox	1
	102500	HONOR COVER - Stars & Stripes	

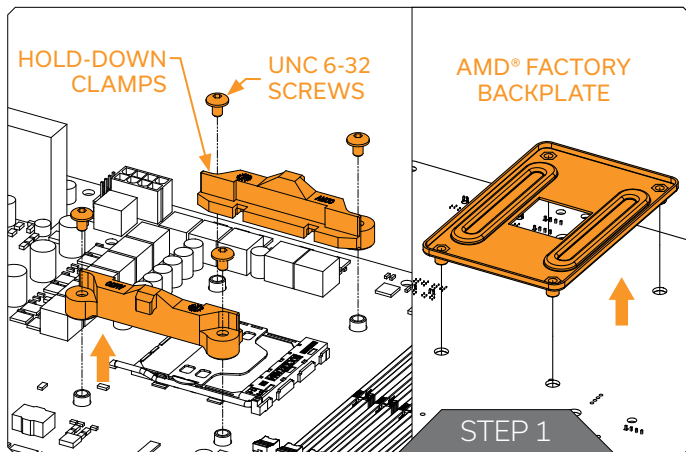


Technical Specification:

- Dimensions (L x H x W): 110 x 74 x 22 mm
- D-RGB cable length: 500 mm
- D-RGB LED count: 1
- D-RGB connector standard 3-pin (+5V, Data, Blocked, Ground)

Position	EAN	Description	Quantity
1	100668	COLDPLATE - Copper	1
	100669	COLDPLATE - Nickel	
2	100830	VELOCITY FRAME - Black	1
	100831	VELOCITY FRAME - Nickel	
	100832	VELOCITY FRAME - White	
3	8207	SCREW M4x14 DIN7991	4
4	100663	EK-BADGE	1
5	100576	AMD Mounting Plate	1
6	100528	TOP PLATE - Full Nickel	1
7	100629	JET PLATE	1
8	100728	SEALING GASKET	1
9	102213	LED D-RGB PANEL	1

INSTALLING THE WATER BLOCK

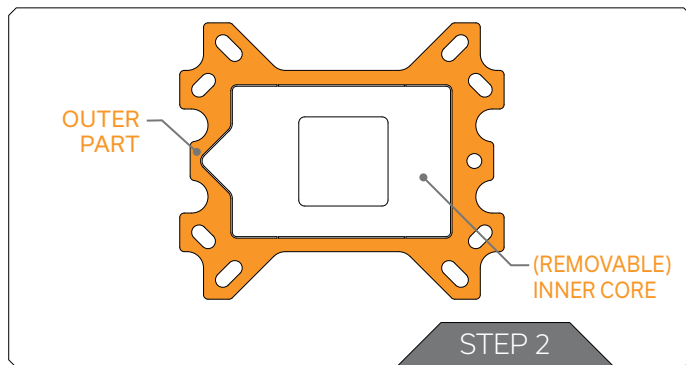


AMx AND FMx SOCKET MOTHERBOARDS

STEP 1

Removing of the original plastic hold-down clamps and the factory backplate:

Using Philips-head screwdriver remove the four UNC 6-32 screws securing the original plastic hold-down clamps around the socket as shown on the sketch. Remove the original AMD® backplate and the hold-down clamps and store them away. See sketch for further part identification.



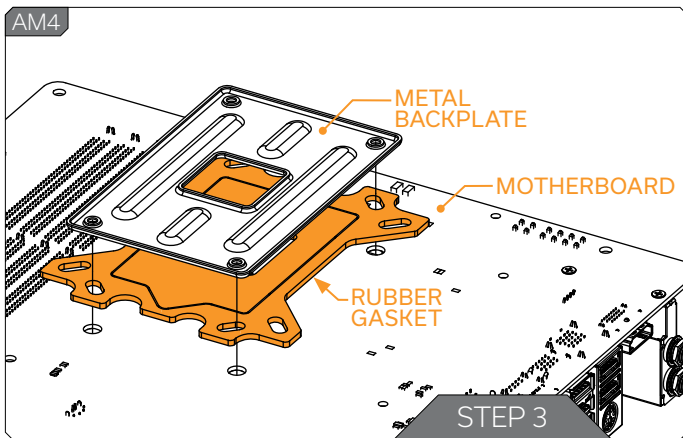
STEP 2

Preparing backplate rubber gasket

The enclosed rubber gasket is an essential part of the backplate and mounting system and must be used every time you install this water block on your motherboards.



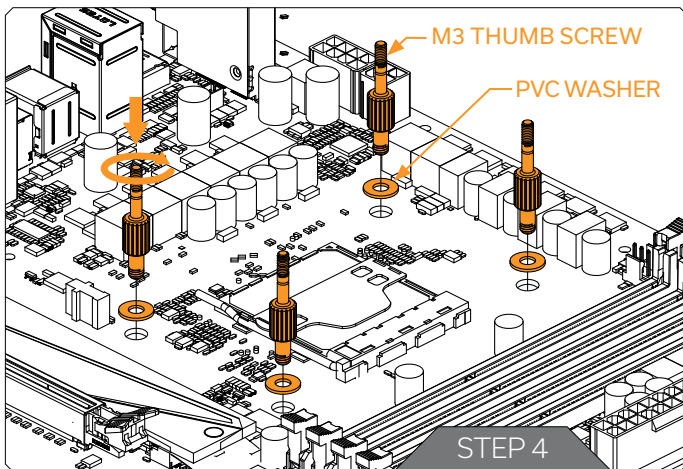
With AMD® Sockets you should use whole rubber backplate including the inner core.



STEP 3

Install the backplate rubber gasket and place the metal backplate for the AMD® socket on the back of your motherboard with the RIBBED SIDE UP (facing away from the motherboard). Align the holes on the motherboard with the holes on the rubber gasket and backplate.

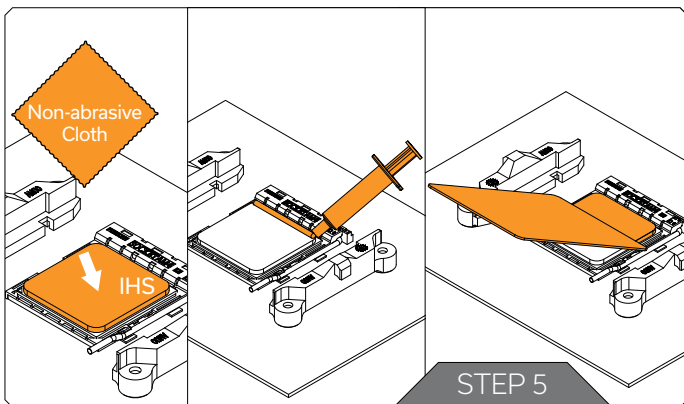
Carefully rotate motherboard assembly with front side facing up with one hand while holding the backplate and rubber in place with the other hand.



STEP 4

Prepare the foil bag with mounting mechanism, which is enclosed with the CPU water block delivery.

Install four (4) M3 thumb screws onto your motherboard. It is mandatory to put 0.7mm plastic washer underneath each of the M4 thumb screws. Tighten the screws to the metal backplate until you reach the end of the thread. Using tools (such as pliers) is not recommended.



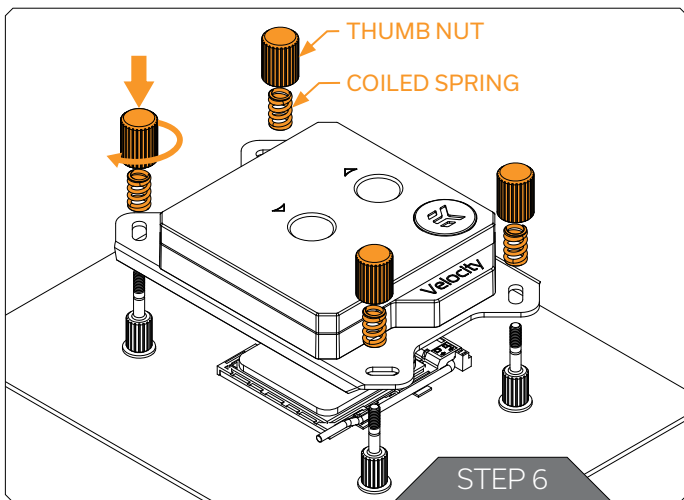
STEP 5

leaning the CPU: Wipe the CPU's contact surface (by using non-abrasive cloth or Q-tip, as shown on sample photo).

Applying thermal compound: On a clean IHS, apply a line of thermal compound and spread it over the whole CPU heat spreader (IHS) with a credit card or equivalent - see sample photo on left.



The layer of thermal compound must be thin and even in thickness through the whole surface of the IHS. Too thick of an application could lead to poor performance. This method applies to Thermal Grizzly Hydronaut thermal compound (3830046998477).



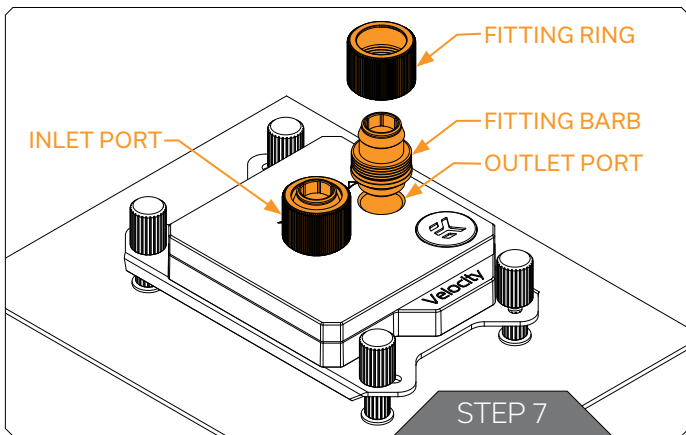
STEP 6

Align the water block over the mounting screws on the motherboard with pre-installed CPU.



Before proceeding with the installation, it is mandatory to remove the protective foil from the backside of the water block.

Place an enclosed compression spring and thumb nut over each M3 thumb screw. Start fastening two thumb nuts at a time, preferably in cross pattern and do not tighten them fully until all of them are partially screwed in. Then - using your fingers only - screw in all four thumb nuts until you reach the end of the thread.



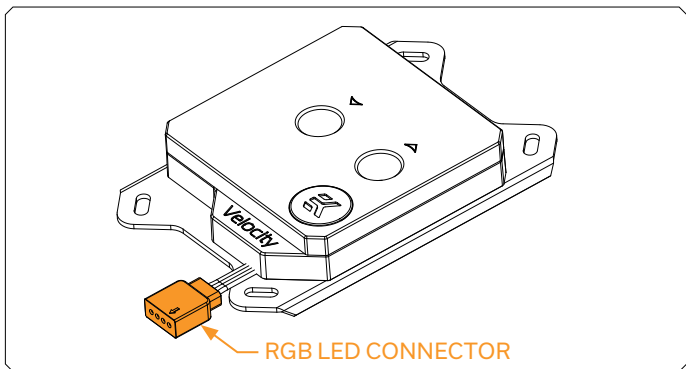
STEP 7

Tighten the fitting barbs in clockwise direction until the gasket underneath is compressed.

The installation of the CPU water block is now complete.

With EK-Velocity series water blocks it is mandatory to use the port that is nearest to the center of the water block as INLET port. Mixing the ports may result in less than ideal thermal performance of the water block.

CONNECTING THE RGB LED STRIP (Optional)



CONNECTING THE RGB LED STRIP

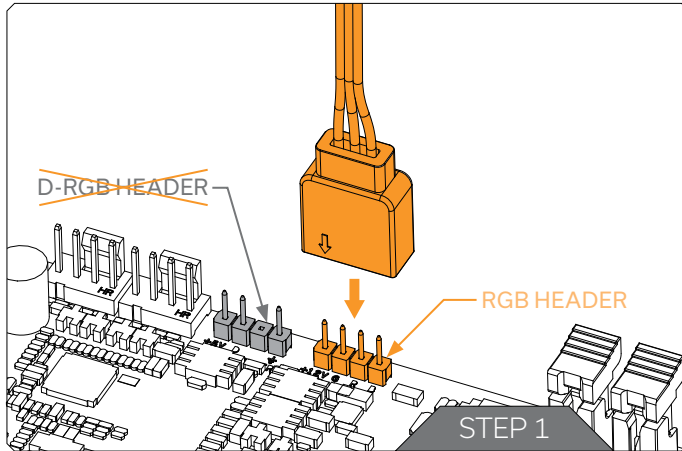
STEP 1

Plug the 4-pin connector from the water block and fan's RGB LED light to the RGB HEADER on the motherboard. The LED will work if the pin layout on the header is as follows: **+12V G R B**.



Please ensure that the arrow indicated on the connector is plugged into the +12V line as indicated on your motherboard.

Failure to do so will damage your motherboard or LED strip.



CONNECTING THE D-RGB LED STRIP

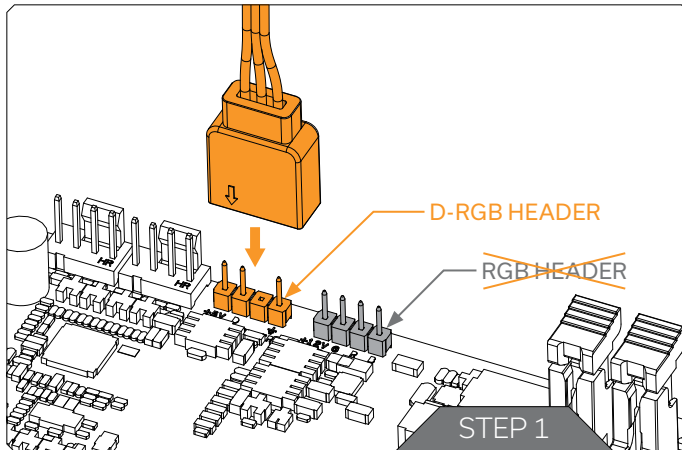
STEP 1

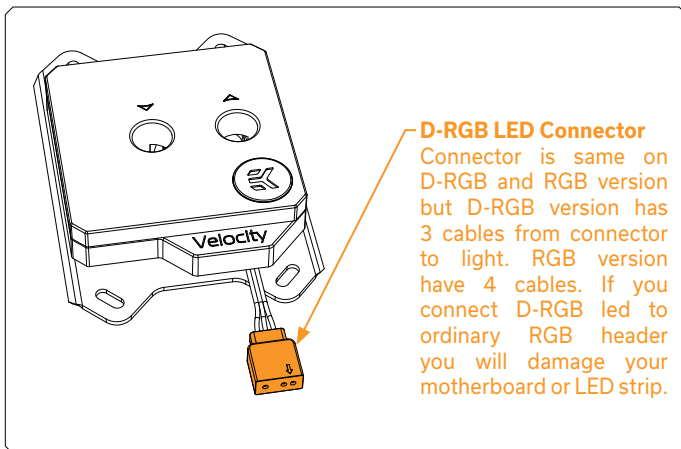
Plug the 4-pin connector from the water block's D-RGB LED light to the DRGB HEADER on the motherboard. The LED will work if the pin layout on the header is as follows: **+5V, Digital, empty, Ground**.



Please ensure that the arrow indicated on the connector is plugged into the +5V line as indicated on your motherboard. If you put LED Diode to the 12V RGB HEADER you can damage the LEDs.

Failure to do so will damage your motherboard or LED strip.





D-RGB LED Connector
Connector is same on D-RGB and RGB version but D-RGB version has 3 cables from connector to light. RGB version have 4 cables. If you connect D-RGB led to ordinary RGB header you will damage your motherboard or LED strip.



Connector is the same on D-RGB and RGB versions, but D-RGB version has 3 cables from connector to PCB; RGB version has 4 cables. If you connect D-RGB LED to ordinary RGB header you can damage your motherboard or LED strip.

SUPPORT AND SERVICE

In case you need assistance or wish to order spare parts or a new mounting mechanism, please contact:

<https://www.ekwb.com/customer-support/>

For spare parts orders, refer to the page with "TECHNICAL SPECIFICATIONS AND WATER BLOCK PARTS" where you can find the EAN number of each part you might need.


Include the EAN number with quantity in your request. Mounting Mechanism EAN can be found under "BOX CONTENTS"

Thermal pads are readily available in the EK shop


SOCIAL MEDIA

 EKWaterBlocks

 @EKWaterBlocks

 ekwaterblocks

 EKWBofficial

 ekwaterblocks

